



Setting the Standards

FTTX Acceptance Maintenance Terminal



Description

OFT-510 is a handheld special tool with PON emulation module and red light module integrated inside, which is focus on satisfying the management and test requirement of FTTH service telecom operators' project acceptance and maintenance.

OFT-510 is designed with high end pad hardware, SAMSUNG S5PV210 CPU, 1GHz, 5" TFT true color, high definition, highlight LCD, 800×480, mainstream Android V2.3 operation system, smooth operation and excellent user experience.

OFT-510 is integrated with collection of scene information and test function and support web browsing, web speed measurement; excellent multi-media function, which allows watching full HD video directly online; it can also be installed Yiyunwei, IDA and other client-side software, which is helpful to improve maintenance work efficiency and control efforts, efficiently integrate human resources value and develop telecom maintenance image and Users' apperceiving.

Features and Benefits

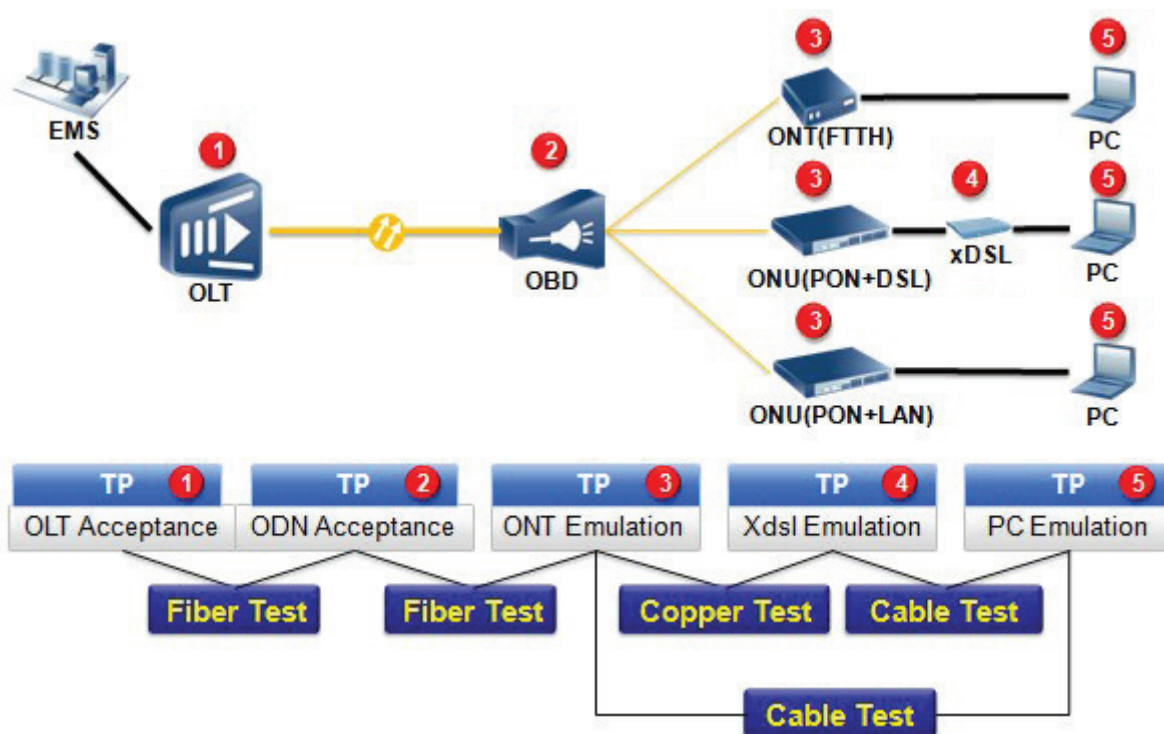
1. Newest Android system and 5' 800X480 touch screen
2. Built-in 3G(CDMA1X/EVDO) and WIFI (IEEE 802.11b/g/n) communication module
3. Support France Telecom FTTH acceptance and PON interface zero-configuration testing
4. Support fiber optic resource verified and single-ended whole light failure testing
5. Support PON interface configuration and alarming reading and give explicit faults and solutions
6. 5 mega-pixel auto-focusing camera for photographing
7. 3G conversation, electric work form management etc.
8. Preset configuration settings, one-click test, automatic record keeping, flexible report output
9. Auto power-off
10. Sound and LED alarm indication
11. Test data management
12. Software online upgrade

Applications

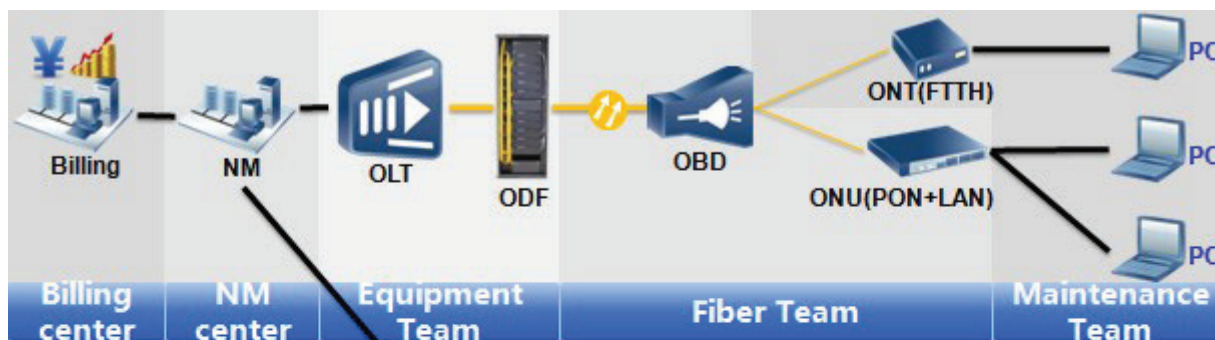
- Test and simulation
 - Combined with worksheet
 - Physical Resource Verify
-

FTTX Acceptance Maintenance Terminal Applications

Test and simulation

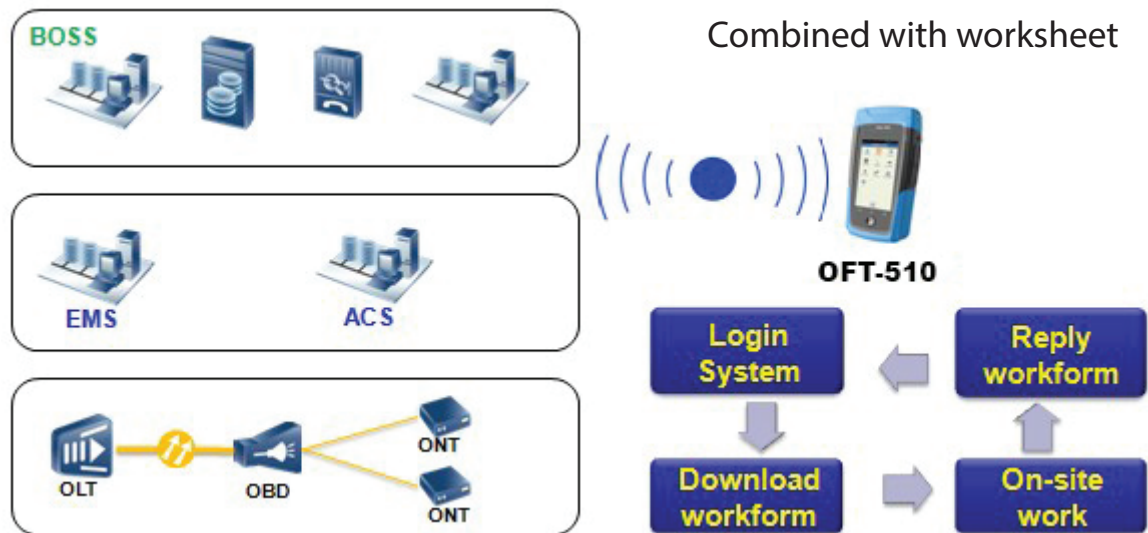


Physical Resource Verify



Resource Query	Port location	Device Configuration
User Account、ONT Info、OLT Info	Account-ONT-OBD-ODF-PON	ONT Configuration

FTTH Acceptance Maintenance Terminal Applications



Functions

- Important resource verification procedure instruction
 - Existing resource information bulk import to OXIN webmaster
 - While onsite testing, can verify resource basic information and modify currently
 - Test the relationship of Passive Optical Components and up-connected PON port., save uploading
 - Confirm the upload information if cover to resource manage system by resource manager
- EPON/GPON simulation test
 - Support EPON/GPON terminal simulation to satisfy operators' EPON/GPON terminal standard
 - Support to connect with HUAWEI, ZTE, ASB, Fiber home and other mainstream OLT equipments
 - Support to configure LOID or SN code to achieve displaying status change in processing of register and verification
 - Support WAN connection and VLAN configuration, support PON link information and WAN interface information services
 - Support business automatically issued and display long-distance managing status (ITM/RMS connection status, reported and issued status) based on ITMS/RMS platform
 - Support data, voice and IPTV channel connectivity test and business simulation
 - Support PON protocol and business flow caught

FTTH Acceptance Maintenance Terminal Functions

○ PC simulation

It can simulate PC to perform network scan and trace route test, and search the key equipment on internet, such as Router, SQL Server, printer, etc. And display IP address of key equipment and achieve host information from destination IP equipment. Support DHCP and PPPOE dialup testing and network performance test.

The tester can totally take place of laptop and it would be more suitable for outdoor professional applications. It would be more convenient to configure WEB, write in LOID code of customer-side in opening and maintenance PON communication system.

Can conduct network management configuration by remote TELNET login local side and totally take place of laptop to achieve some certain operation work of maintenance manager.

○ Electric Worksheet Management

Through embedded 3G communication module or WIFI module allow to log in operating platform to open work webpage and realize wireless office, the Andriod4.1 operating system is more close to users' custom with friendly man-machine interface, the friendliness and openness of Android system can fulfill quite a few telecom services application demands. It can be installed the electronic maintenance terminal software to achieve all the functions that related to integrated debugging system.

The acquire and receipt of worksheet takes place of paper work and also reduce the circulation, and solve the big problem of low efficiency, hard to store, easy to making error, and reduce the usage of paper. Achieving low-carbon green, at the same time, the manager can easily know work saturation of each community manager and balance the worksheet at any moment to achieve the reasonable usage of human resource.

○ Mobile phone function

- To call and answer, then keep in touch with client or console at any time.
- Send and receive short message and multimedia messages, supporting data transfer recordation
- Camera for taking pictures and videos
- Function of GPS. Combined with worksheet manage system to achieve the location of community manager.
- Function of Address book and call logs, can connect with PC management software such as peasecod, 91 assistant, etc. and support import and export communication log, contacts and messages. Functions of calendar, alarm clock, camera, digital photo album, file manager, calculator,

○ Bar code scanning

Support two-dimensional code and bar code scanning. It is convenient to currently manage users' family terminal or delivery and verify information of terminal by community manager, which takes place of manual record and has higher accuracy. Managing the property through the barcode scanning to achieve the dual command of people and things and realize the Internet of things era.

FTTX Acceptance Maintenance Terminal

Ordering Information	Description	Part Number
	FTTx Network Terminal	OFT-510
Packaging	Description	
	Cardboard box, 1 unit per box	
Hardware Characteristics	Parameter	Value
	CPU	1.2GHz diachylon
	Flash	4G
	TF card	Max 32G
	Camera	800 pixel Support auto-focusing Support ill-in light, can be used as flashlight
Telecom Interface	Parameter	Value
	Bluetooth	V3.0
	GPS	Support A-GPS,GPS, can individual control opening and losing the power of GPS
	WIFI	Support IEEE 802.11b/g/n
	3G	Support CDMA 1X-EVDO/WCDMA/GSM
NFC	Compatible RFID, 13.56MHZ interface protocol meet ISO-15693	
Physical Characteristics	Parameter	Value
	Power Supply	Rechargeable Battery + Power Supply Adaptor
	Display Screen	True color high light 5.0"TFT LCD, Readable Resolution: 800x480
	Interface	Micro USB, USB (OTG), microphone, Speaker, Receiver, Earphone
	Test Interface	2*RJ45, 2*RJ11, 1*ONU optical interface, 1*optical power interface, 1*multi-use red light interface
	Battery Operating Time	4 hours
	Dimensions	200 mm x 120 mm x 60 mm
Weight	0.8kg	
Mechanical Characteristics	Parameter	Value
	Operating temperature	0 ~ 40°C
	Storage temperature	-20 ~ 70°C
	Relative humidity	10~90% (non-condensation)



Setting the Standards

Oxin Group S.A.

Head-office: 5, bd du General Martial Valin,
75736 Paris Cedex 13 - France

Web: www.OxinGroup.net

E-mail: info@oxingroup.net

OFT-510 Data Sheet
VER 2.2EN 2017-08-09

Copyright © 2017 Oxin Group S.A. All Rights Reserved